



CAI 3\*/2\* 08.05. – 12.05.2024

**CAI**

**International Driving Competition  
Internationales Fahrturnier**

**Plans /Geländeunterlagen  
Friday**

**CAI3\*-H1 / CAI2\*-P4 / CAI2\*-P2**

**18**

**22**

**26**



**CAI 3/2\***

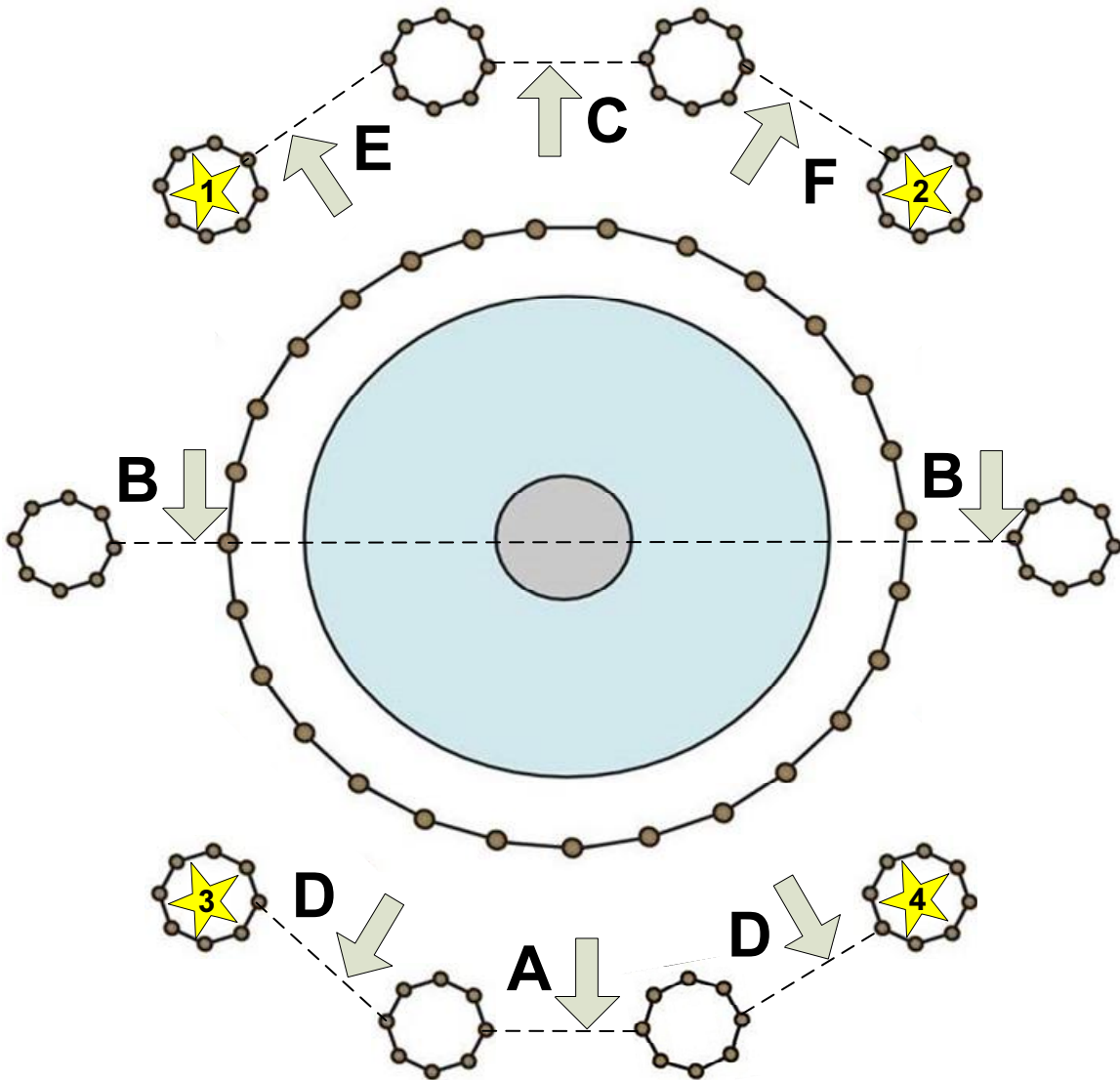
Michael Mayer | 



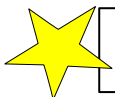
Powered by:



„Bockmeyer-  
Brunnen“



CAI 2Star only gates  
A - E



= 4 abwerfbare Teile/  
Knock Down



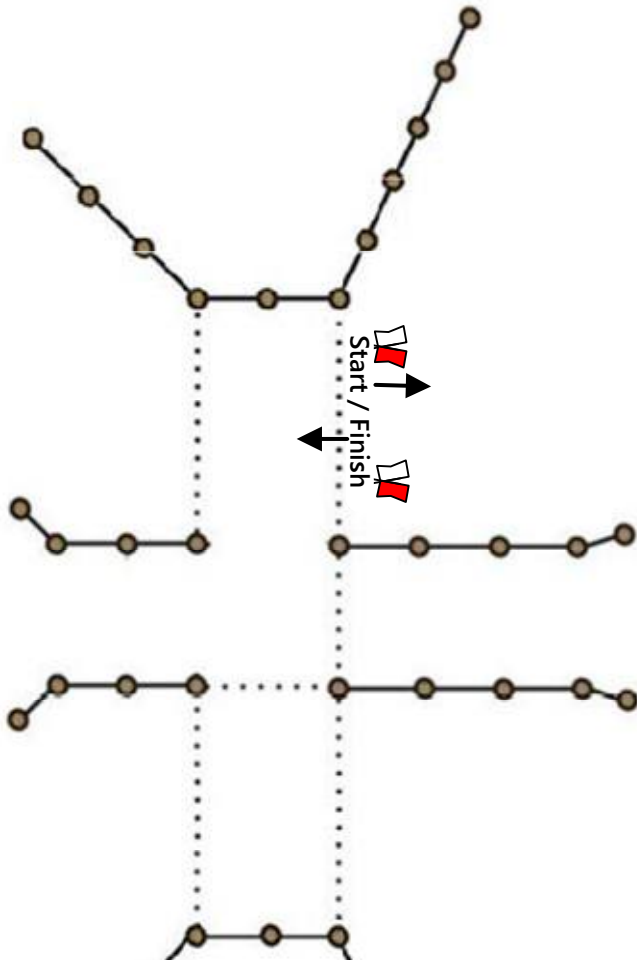
Start / Finish



Powered by:

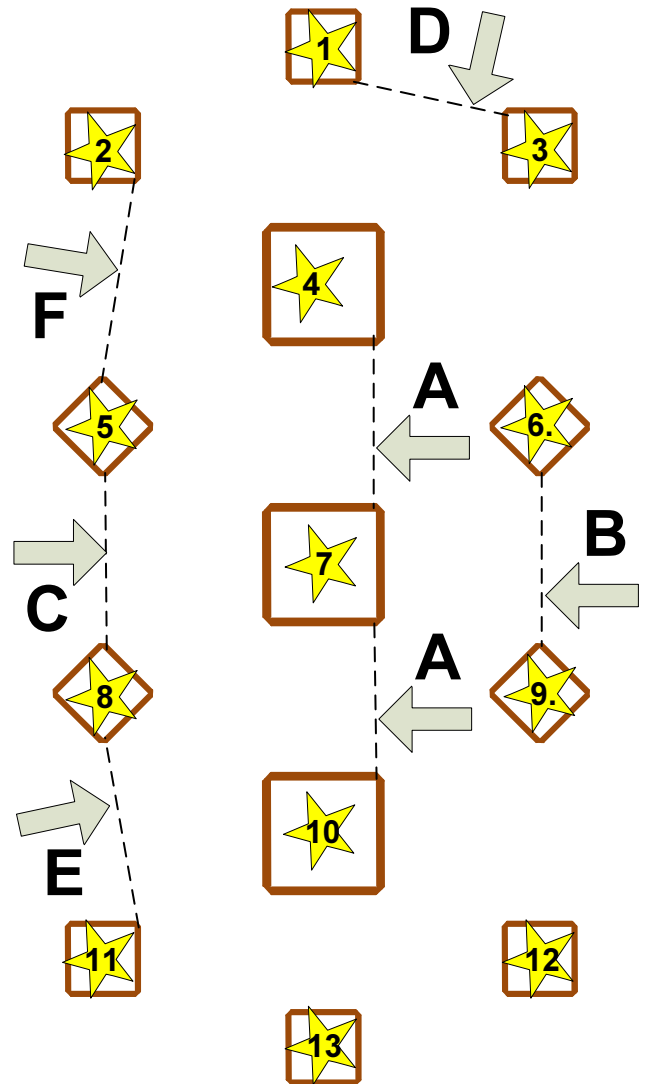


 = 13 abwerfbare Teile/  
Knock Down

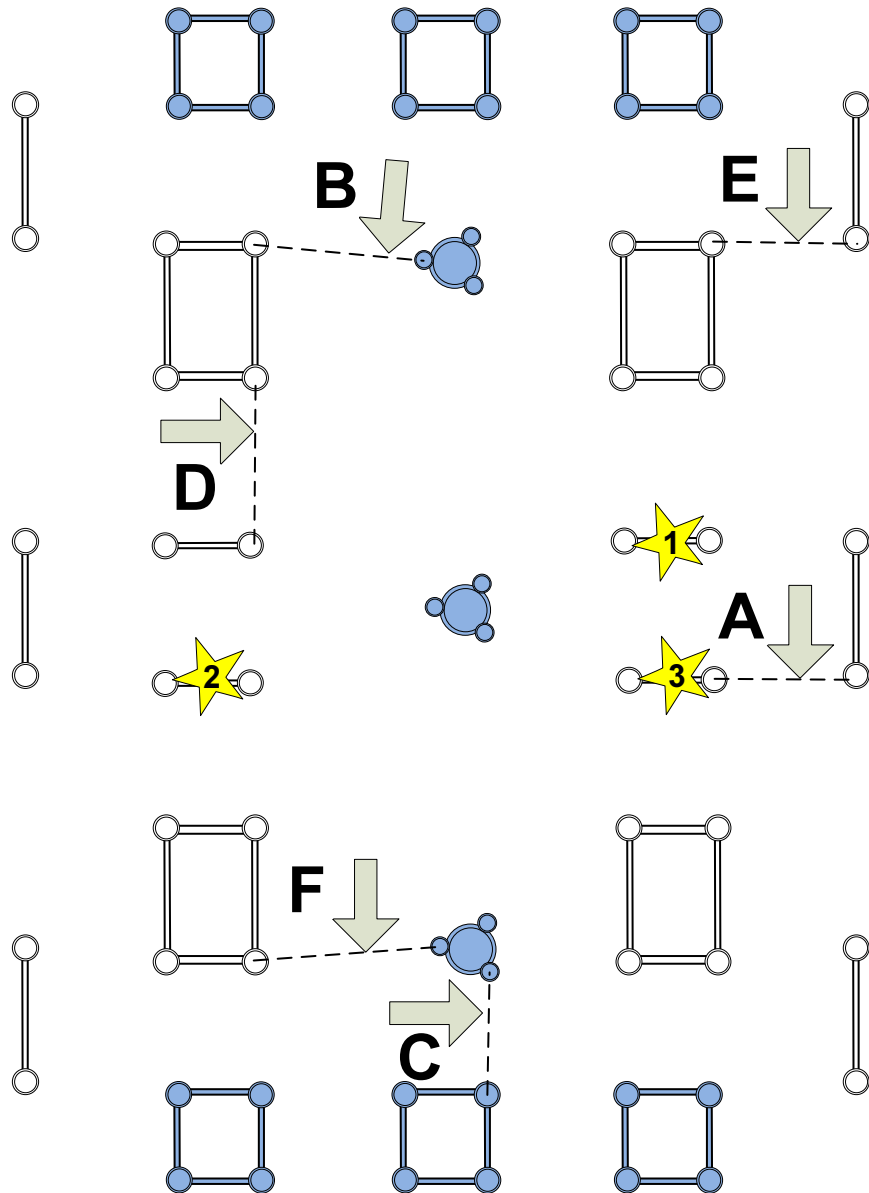
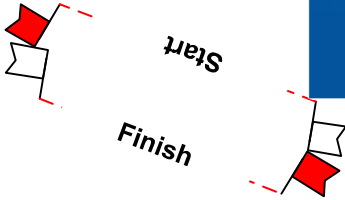


This obstacle is only  
for marathon on friday

CAI 2Star only gates  
A - E



Powered by:



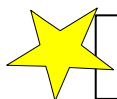
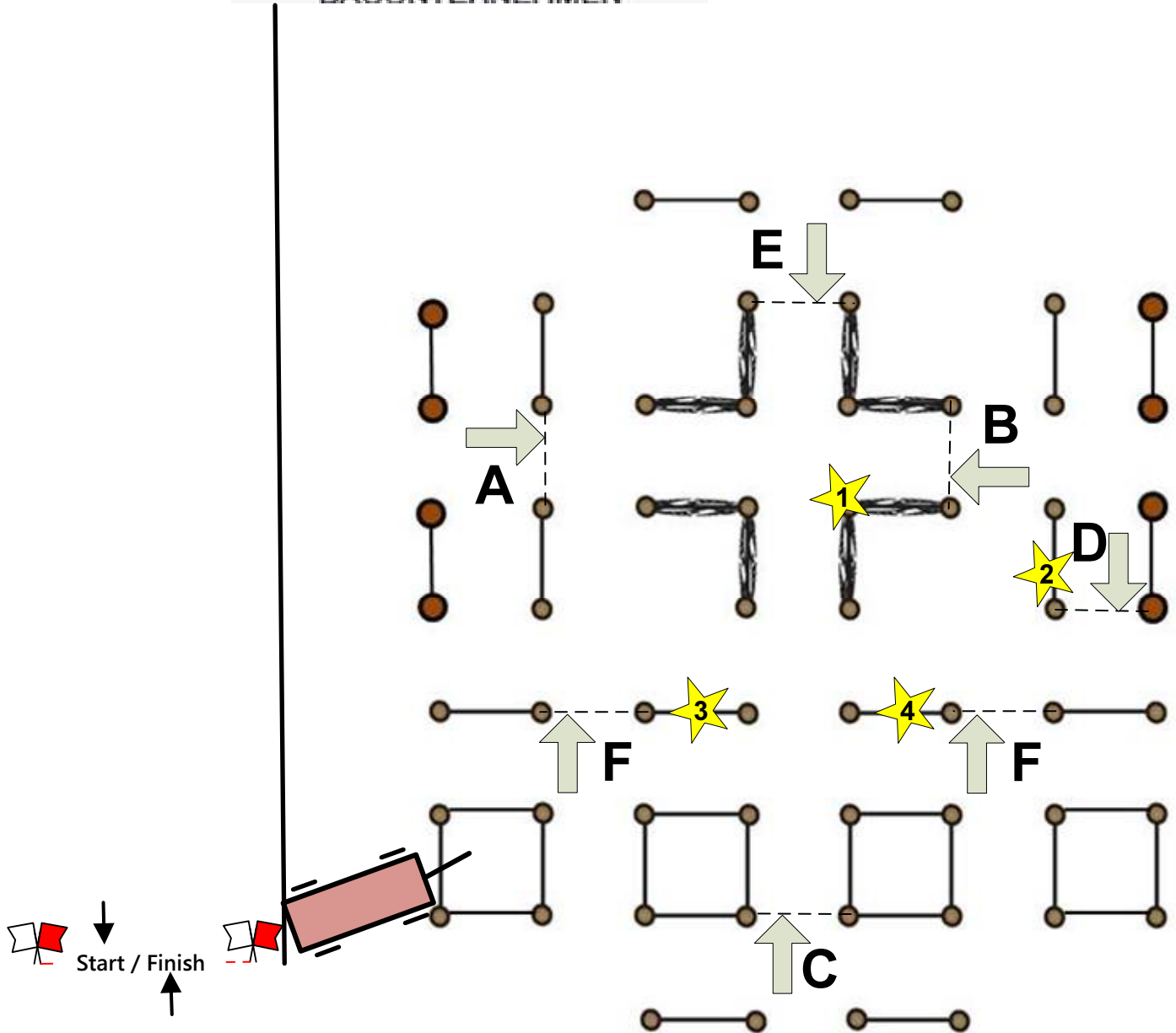
CAI 2Star only gates  
A - E

 = 3 abwerfbare Teile/  
Knock Down

Powered by:



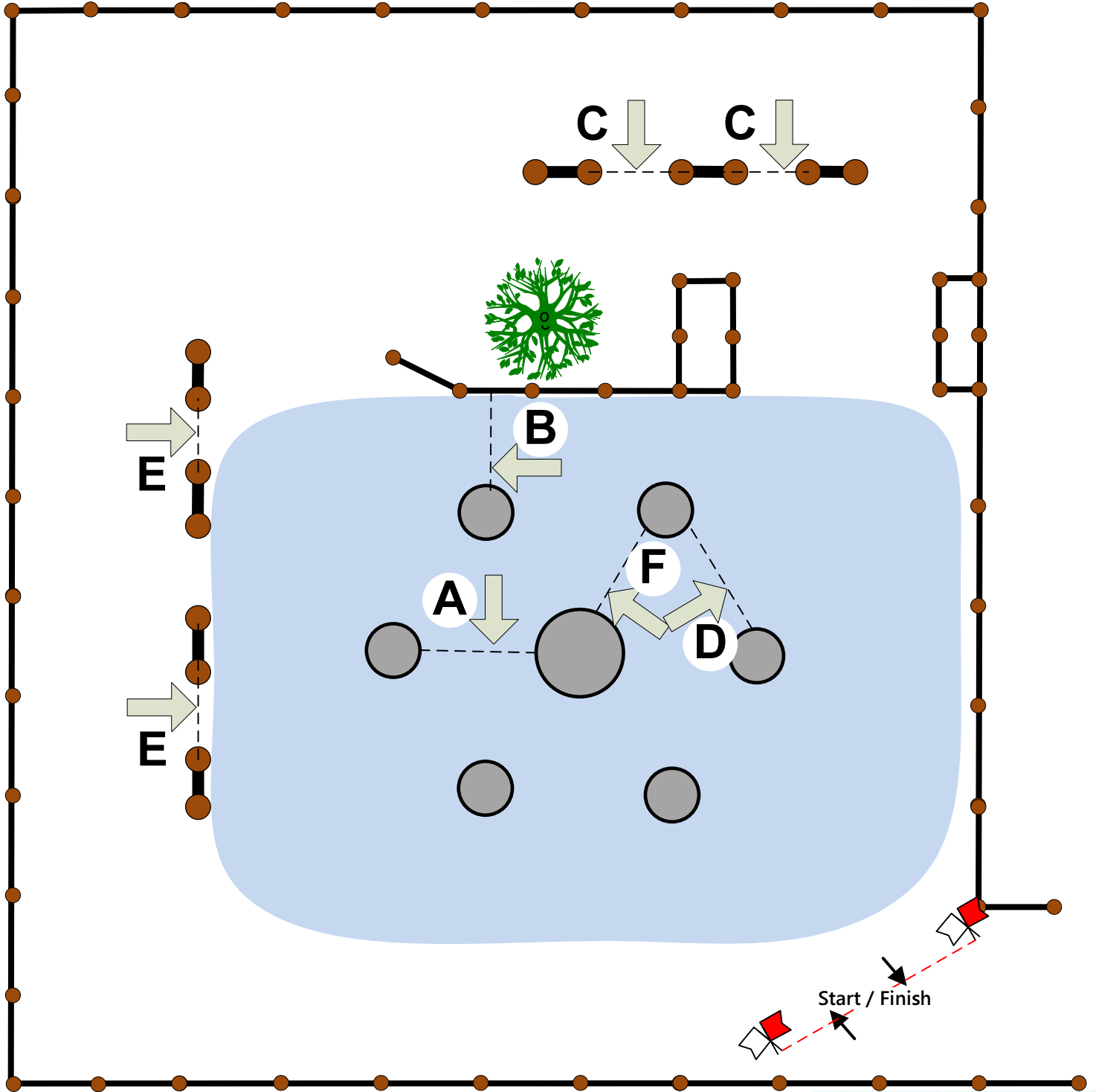
„SCHULTE -  
Heuerhaus“



= 4 abwerfbare Teile/  
Knock Down

CAI 2Star only gates  
**A - E**

Powered by:



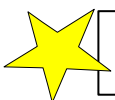
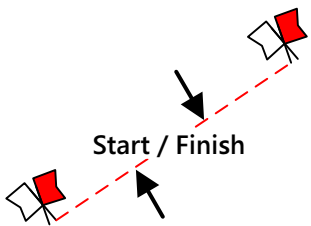
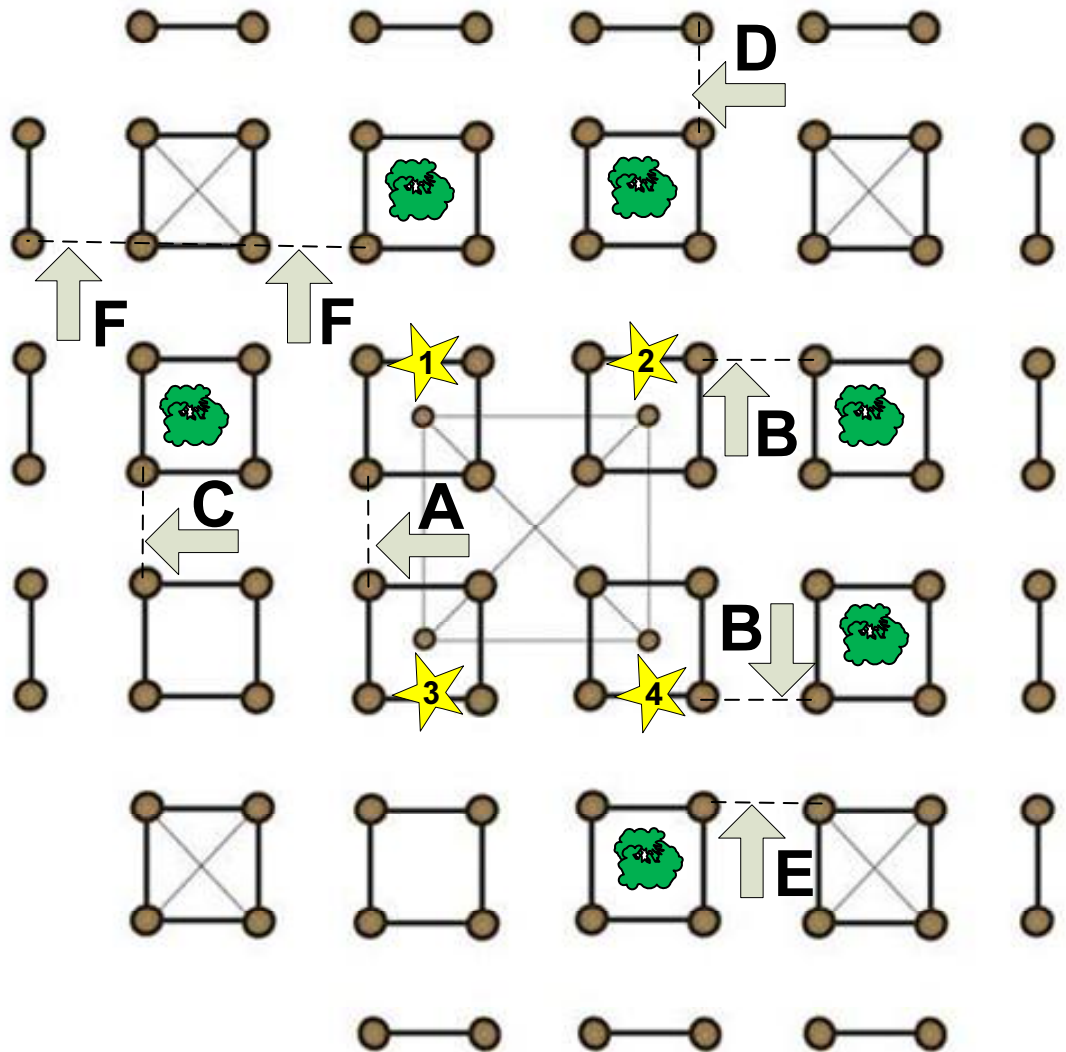
CAI 2Star only gates  
A - E

Michael Mayer | 

Powered by:



**H**indernis **7**  
**O**bstacle  
„ASP - Pyramide“



= 4 abwerfbare Teile/  
Knock Down

CAI 2Star only gates  
**A - E**